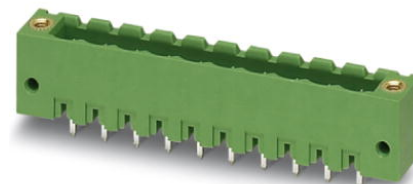


MSTBV 2,5/ 6-GF-5,08

Order No.: 1777112

The figure shows a 10-position version of the product

<http://eshop.phoenixcontact.de/phoenix/treeViewClick.do?UID=1777112>Header, nominal current: 12 A, rated voltage: 250 V, pitch: 5.08 mm,
no. of positions: 6, mounting: Soldering

Commercial data	
EAN	4017918039288
Pack	50 Pcs.
Customs tariff	85366990
Weight/Piece	0.00415 KG
Catalog page information	Page 222 (CC-2007)

Product notesWEEE/RoHS-compliant since:
01/01/2003

<http://www.download.phoenixcontact.com>
Please note that the data given here has been taken from the online catalog. For comprehensive information and data, please refer to the user documentation. The General Terms and Conditions of Use apply to Internet downloads.

Technical data**Dimensions / positions**

Pitch	5.08 mm
Dimension a	25.4 mm
Number of positions	6
Pin dimensions	1 x 1 mm
Hole diameter	1.4 mm

Technical data

Insulating material group	IIIa
Rated surge voltage (III/3)	4 kV
Rated surge voltage (III/2)	4 kV
Rated surge voltage (II/2)	4 kV
Rated voltage (III/2)	320 V
Rated voltage (II/2)	400 V
Connection in acc. with standard	EN-VDE
Nominal current I_N	12 A
Nominal voltage U_N	250 V
Maximum load current	12 A
Insulating material	PBT
Inflammability class acc. to UL 94	V0

Certificates / Approvals

Approval logo



CSA

Nominal voltage U_N	300 V
Nominal current I_N	10 A

CUL

Nominal voltage U_N	300 V
Nominal current I_N	10 A

UL

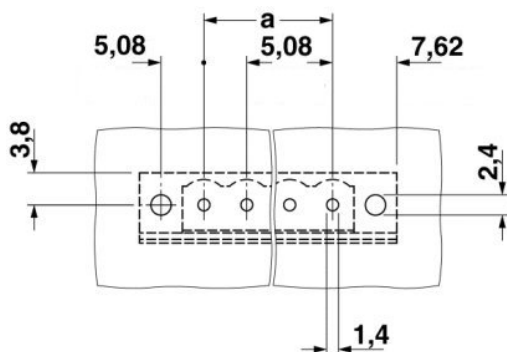
Nominal voltage U_N	300 V
Nominal current I_N	10 A
Certification	CB, CSA, CUL, GL, GOST, RS, UL, VDE-PZI

Accessories		
Item	Designation	Description
Assembly		
1755477	MSTB-BL	Keying cap, for forming sections, plugs onto header pin, green insulating material
Marking		
0804293	SK 5,08/3,8:FORTL.ZAHLEN	Marker card, printed horizontally, self-adhesive, 12 identical decades marked 1-10, 11-20 etc. up to 91-(99)100, sufficient for 120 terminal blocks
Plug/Adapter		
1734401	CR-MSTB	Coding section, inserted into the recess in the header or the inverted plug, red insulating material
Additional products		
Item	Designation	Description
General		
1873249	FKC 2,5/ 6-STF-5,08	Plug with screw flange, nominal current: 12 A, rated voltage: 250 V, pitch: 5.08 mm, no. of positions: 6, type of connection: Spring-cage connection
1902343	FKCT 2,5/ 6-STF-5,08	Plug component, nominal current: 12 A, rated voltage: 250 V, pitch: 5.08 mm, no. of positions: 6, type of connection: Spring-cage connection
1874141	FKCVR 2,5/ 6-STF-5,08	Plug component, nominal current: 12 A, rated voltage: 250 V, pitch: 5.08 mm, no. of positions: 6, type of connection: Spring-cage connection
1873841	FKCVW 2,5/ 6-STF-5,08	Plug component, nominal current: 12 A, rated voltage: 250 V, pitch: 5.08 mm, no. of positions: 6, type of connection: Spring-cage connection
1777840	FRONT-MSTB 2,5/ 6-STF-5,08	Plug with screw flange, nominal current: 12 A, rated voltage: 250 V, pitch: 5,08 mm, no. of positions: 6, type of connection: Screw connection
1778027	MSTB 2,5/ 6-STF-5,08	Plug component, nominal current: 12 A, rated voltage: 250 V, pitch: 5.08 mm, no. of positions: 6, type of connection: Screw connection
1809776	MSTBC 2,5/ 6-STZF-5,08	Plug component, nominal current: 12 A, rated voltage: 320 V, pitch: 5.08 mm, no. of positions: 6, type of connection: Crimp connection
1805343	MSTBT 2,5/ 6-STF-5,08	Plug with T-shape and screw flange, nominal current: 12 A, rated voltage: 250 V, pitch: 5.08 mm, no. of positions: 6, type of connection: Screw connection

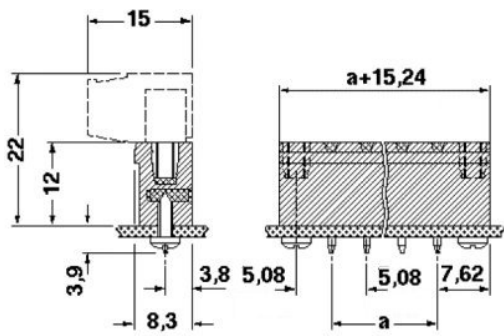
1849121	MSTBVK 2,5/ 6-STF-5,08	Plug component, nominal current: 12 A, rated voltage: 320 V, pitch: 5.08 mm, no. of positions: 6, type of connection: Screw connection
1835135	MVSTBR 2,5/ 6-STF-5,08	Plug with screw flange, nominal current: 12 A, rated voltage: 250 V, pitch: 5,08 mm, no. of positions: 6, type of connection: Screw connection
1834945	MVSTBW 2,5/ 6-STF-5,08	Plug component, nominal current: 12 A, rated voltage: 250 V, pitch: 5.08 mm, no. of positions: 6, type of connection: Screw connection
1918133	QC 0,75/ 6-STF-5,08	Plug components, 5.08 mm pitch, color: green, no. of positions 6, dimension a 25.40 mm
1883394	QC 1/ 6-STF-5,08	Plug, nominal current: 10 A, rated voltage: 500 V, pitch: 5.08 mm, number of positions: 6, connection method: Insulation displacement connection QUICKON
1853146	TMSTBP 2,5/ 6-STF-5,08	Plug component, nominal current: 12 A, rated voltage: 250 V, pitch: 5.08 mm, no. of positions: 6, type of connection: Screw connection
1859218	UMSTBVK 2,5/ 6-STF-5,08	Plug component, nominal current: 12 A, rated voltage: 320 V, pitch: 5.08 mm, no. of positions: 6, type of connection: Screw connection
1873029	ZFKK 1,5-ICV-5,08	Modular terminal blocks with plug entry, cross section: 0.2 - 1.5 mm ² , width: 5.1 mm, color: gray

Drawings

Drilling diagram



Dimensioned drawing



Address

PHOENIX CONTACT GmbH & Co. KG
Flachsmarktstr. 8
32825 Blomberg, Germany
Phone +49 5235 3 00
Fax +49 5235 3 41200
<http://www.phoenixcontact.com>



© 2008 Phoenix Contact
Technical modifications reserved;